



# XLT<sup>®</sup>

Simple. Smart.

## 2440F GAS



**24" Wide Conveyor  
40" Long Cooking Chamber**

### STANDARD FEATURES

- Available as a double or triple stacked oven
- Stainless Steel construction throughout
- Easy to clean removable front panel
- Tough durable digital controls
- Instant reversible conveyor direction
- Front access loading window
- Removable crumb trays

### OPTIONAL FEATURES

- Split belts, giving 2 belts with individually adjustable speed settings
- Conveyor shelf extensions
- Fire suppression pre-piping
- Sandwich door handle options
- Extended front panels (powder coat color options)
- Lower oven base shelf
- Solid front door without sandwich window
- Stainless steel door lifting handles

304 STAINLESS STEEL | **7** YEAR PARTS AND LABOR WARRANTY | 24 HR CUSTOMER SERVICE  
**5** YEAR INTERNATIONAL PARTS AND LABOR WARRANTY

[WWW.XLTOVENS.COM](http://WWW.XLTOVENS.COM)

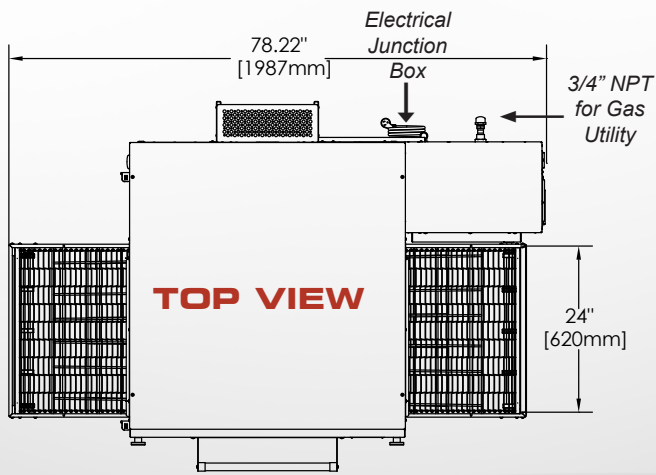


N4279

Intertek

Intertek

0359



# XLT<sup>®</sup>

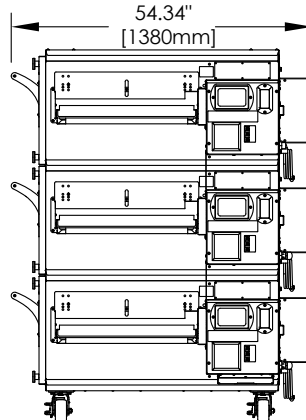
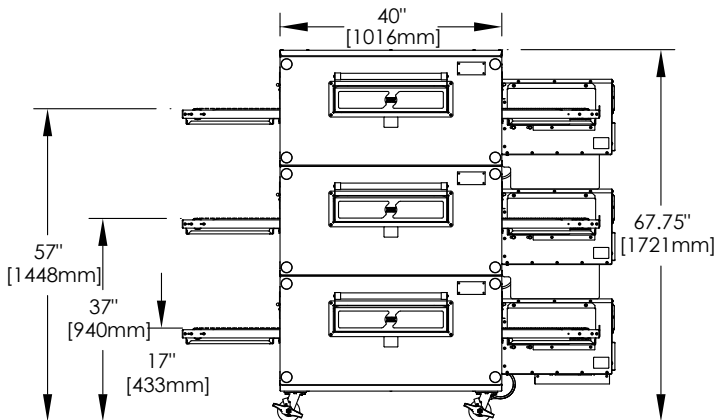
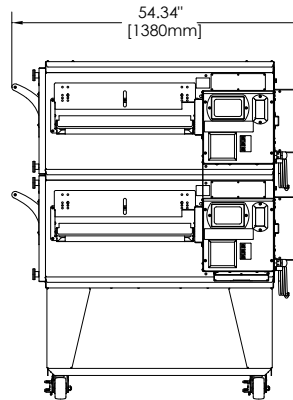
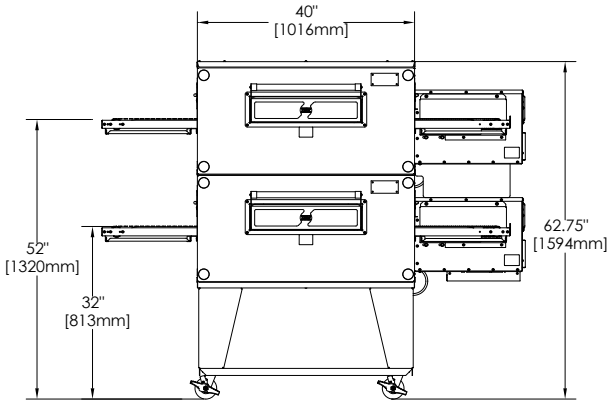
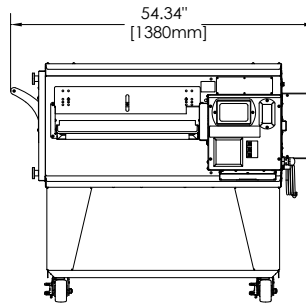
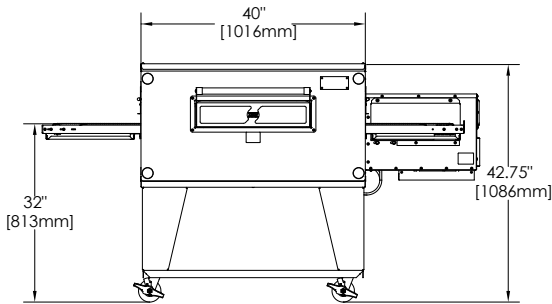
## Simple. Smart.

# 2440F

# GAS

### FRONT VIEWS:

### SIDE VIEWS:



**HEATING VALUES**  
 BTU/HR - 71,000  
 KW/HR - 20.80  
 MJ/HR - 74.88

**ELECTRICAL REQ.**  
 120 VAC 4.8 Amps  
 50/60 Hertz  
 220/230/240v options

**INLET PRESSURE RANGE NATURAL GAS**  
 W/C 6-14  
 MBAR 15-35  
 kPa 1.5-3.5

**INLET PRESSURE RANGE LP GAS**  
 W/C 11.5-14  
 MBAR 27.5-35.0  
 kPa 2.75-3.50

**MANIFOLD PRESSURE RANGE NATURAL GAS**  
 W/C 3.5  
 MBAR 8.5  
 kPa 0.875

**MANIFOLD PRESSURE RANGE LP GAS**  
 W/C 10  
 MBAR 25  
 kPa 2.5

**WEIGHT PER DECK**  
 726 lbs / 329 kg

V16-01