

# 01 Heated display cases with climate



## Technical Description

- Heated display case with 3 heat sources: moist heat, infrared supporting heat and primary heat – settable by means of pictogram control
- Use as display case with service or for self-service through slide-in front glass
- Visual and acoustic indicator of water requirement
- Easy to top up the water tray without removing the product
- Operator side with removable and mirrored hinged doors made of one-way mirrors
- Removable cutting board made of Poly-Hygiene with integrated fold-up mirror underneath
- Heat-resistant LED lighting
- Varied presentation of the food through different accessories such as GN trays
- Standard usable depth up to GN 100 mm; optional installation frame up to GN 150 mm possible
- Basic configuration: GN 100 mm hook-in frame with perforation, dividing bar for GN 2/4, wind baffle and 2-litre measuring can for easy handling
- Made of high-quality stainless steel type 1.4301
- Optional powder coating possible in all RAL colours
- Easiest cleaning and perfect hygiene



### TECHNICAL DATA

Subject to change without notice



	BASIC 44-45	BASIC 78-45	BASIC 112-45	BASIC 146-45
Suitable for	GN 1/1	GN 2/1	GN 3/1	GN 4/1
Presentation levels	1	1	1	1
Presentation area	0,17 m <sup>2</sup>	0,35 m <sup>2</sup>	0,52 m <sup>2</sup>	0,69 m <sup>2</sup>
<b>Outside dimensions (in mm)</b>				
Width	445	785	1125	1465
PRO version: width	435	775	1115	1455
<b>Installation opening (in mm)</b>				
Drop-in: width x depth	425 x 646	765 x 646	1105 x 646	1445 x 646
Slide-in / PRO version: width	425/435	765/775	1105/1115	1445/1455
<b>Performance data</b>				
Power input	1,74 kW	1,99 kW	3,04 kW	3,92 kW
Voltage	230 V 50 Hz			400 V 50 Hz

All product illustrations are only symbolic photos. They may differ from the actual units. The specific product properties can be found in the individual product descriptions.



DISPLAY CASES WITH CLIMATE

## The Highlights



**Easy filling:** Conscious reminder. Our BASIC Line display cases remind you visually and acoustically every three to four hours to top up the water. Practical filling of the water tray on the operator side completely without having to remove the product.



**Automatic programs:** With 7 different automatic programs, perfect results are pre-programmed. Depending on whether you want to keep fish, meat, vegetables or any other food hot in your heated display cases, you can do so with ease thanks to the 7 pre-defined programs.



**Pictogram control:** Intuitive, easy and fast operation of your climate heated display case thanks to modern pictogram control with humidity, infrared supporting heat and primary heat.



**Easy Change:** Slide-in front glass, therefore it can be used optionally as a service or self-service display case – in one simple step and without a tool.



**Mirror effect:** Operatorside with mirrored hinged doors made of one-way mirror as well as fold-up mirror for visual multiplication of the selection of food and for optical expansion of the presentation area.

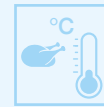


**LED lighting:** Brilliant display case lighting for an attractive product presentation. Long-lasting, heat-resistant LED lighting with natural colour reproduction ensures good and energy-saving illumination of your products.

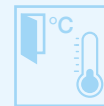


**Easy Clean:** Optimum cleaning and the best-possible hygiene thanks to the fold-up primary hotplate, rounded corners on the inside of the unit, removable hinged doors, tilting front glass, and glass cover that can be raised.

### TEMPERATURE RANGE



**PRODUCT**  
> +65 °C

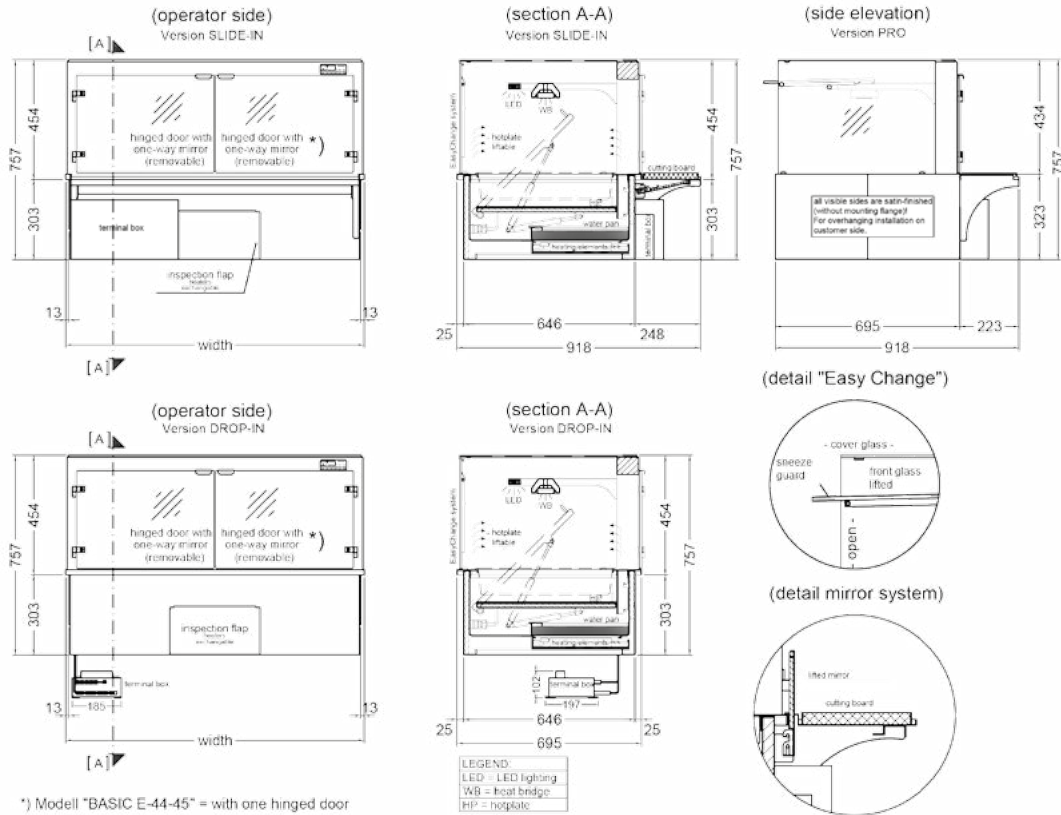


**ROOM**  
+25 °C and  
60% rh

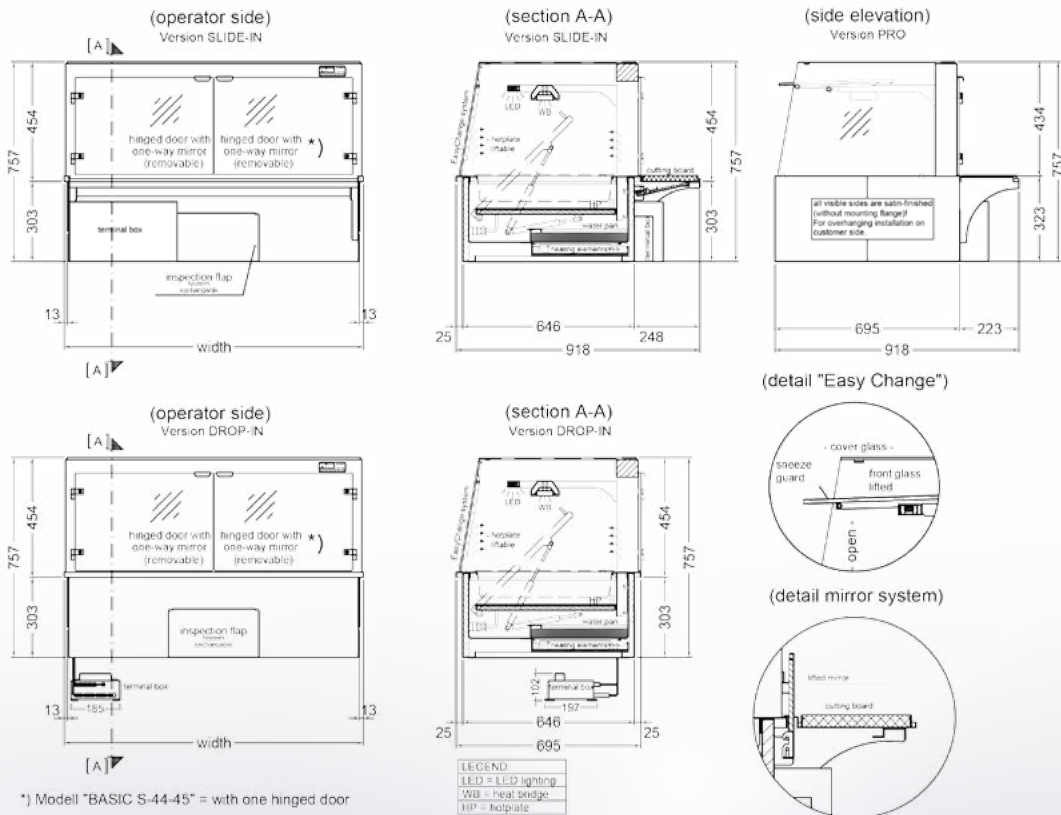
OPTIONS	ITEM NO.	PRICE
Without hinged doors on the operator side	Model 44-45	Price reduction 529 010 179,00
	Model 78-45	Price reduction 529 011 341,00
	Model 112-45	Price reduction 529 012 409,00
	Model 146-45	Price reduction 529 013 510,00
Water drainage installed for tray including feed-through	Surcharge 529 111	349,00
System base, see page 87		

# 01 Heated display cases with climate

## GLASS ENCLOSURE SQUARED



## GLASS ENCLOSURE INCLINED



All product illustrations are only symbolic photos. They may differ from the actual units. The specific product properties can be found in the individual product descriptions.