

01 Heated display cases with climate



Technical Description

- Heated display case with 3 heat sources: moist heat, infrared supporting heat and primary heat – settable by means of pictogram control
- Tank system in the base of the system for water storage
- Use as display case with service or for self-service through slide-in front glass
- Operator side with removable and mirrored hinged doors made of one-way mirror
- Removable cutting board made of Poly-Hygiene with integrated fold-up mirror underneath
- Long-lasting and heat-resistant LED lighting with warm colour reproduction
- Varied presentation of the food through different accessories such as GN trays
- Standard usable depth up to GN 100 mm; optional hook-in frame up to GN 150 mm possible
- Basic configuration with GN hook-in frame 100 mm with perforation, dividing bar for GN 2/4 with wind baffle
- Made of high-quality stainless steel type 1.4301
- Optional powder coating possible in all RAL colours
- Easiest cleaning and perfect hygiene



TECHNICAL DATA

Subject to change without notice



	BASIC Plus 44-45	BASIC Plus 78-45	BASIC Plus 112-45	BASIC Plus 146-45
Suitable for	GN 1/1	GN 2/1	GN 3/1	GN 4/1
Presentation levels	1	1	1	1
Presentation area	0,17 m ²	0,35 m ²	0,52 m ²	0,69 m ²
Outside dimensions (in mm)				
Width	445	785	1125	1465
PRO version: width	435	775	1115	1455
Installation opening (in mm)				
Drop-in: width x depth	425	765	1105	1445
Slide-in / PRO version: width	435	775	1115	1455
Performance data				
Power input	1,74 kW	1,99 kW	3,04 kW	3,92 kW
Voltage	230 V 50 Hz			400 V 50 Hz

All product illustrations are only symbolic photos. They may differ from the actual units. The specific product properties can be found in the individual product descriptions.



DISPLAY CASES WITH CLIMATE

The Highlights



Once a day: From morning to evening. A tank system in the base provides a water reserve of approximately 12 hours when operated at full load. Easy removal of the water tank for daily filling, as well as acoustic and visual indicator of the water requirement.



Automatic programs: With 7 different automatic programs, perfect results are pre-programmed. Depending on whether you want to keep fish, meat, vegetables or any other food hot in your heated display cases, you can do so with ease thanks to the 7 pre-defined programs.



Pictogram control: Intuitive, easy and fast operation of your climate heated display case thanks to modern pictogram control with humidity, infrared supporting heat and primary heat.

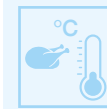


Easy Change: Slide-in front glass, therefore it can be used optionally as a service or self-service display case – in one simple step and without a tool.

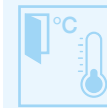


Mirror effect: Operator side with mirrored hinged doors made of one-way mirror as well as fold-up mirror for visual multiplication of the selection of food and for optical expansion of the presentation area.

TEMPERATURE RANGE



PRODUCT
> +65 °C

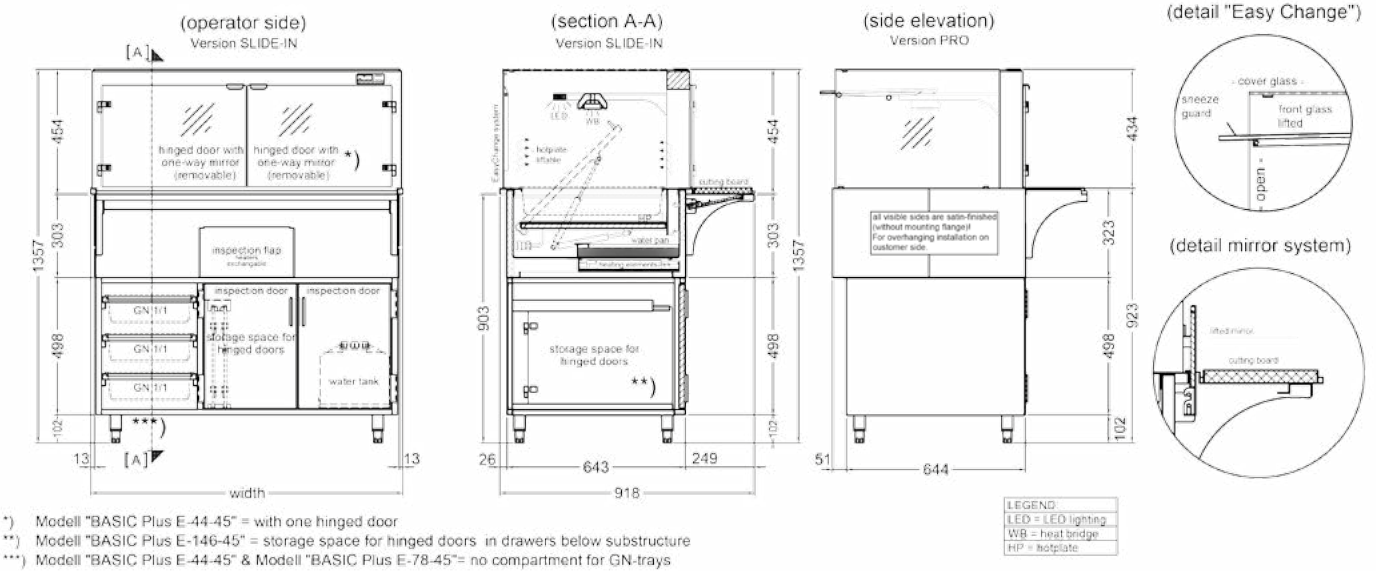


ROOM
+25 °C and
60% rh

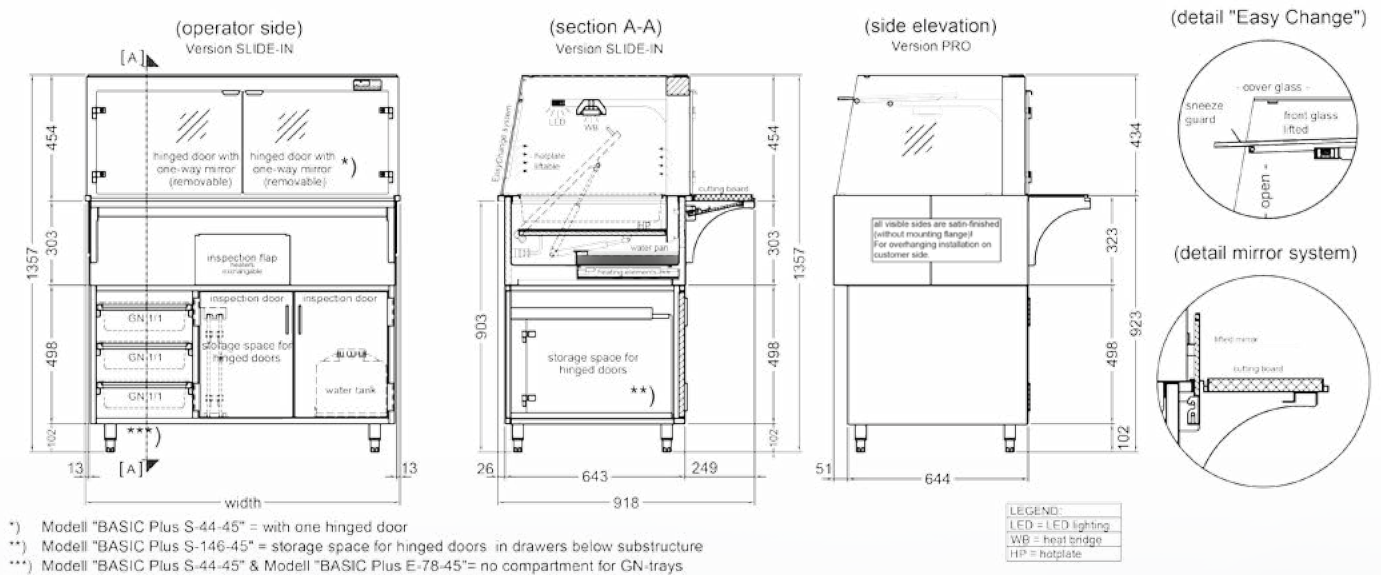
OPTIONS			ITEM NO.	PRICE
Without cutting board made of Poly-Hygiene and fold-up mirror	Model 44	Price reduction	529 000	417,00
	Model 78	Price reduction	529 001	491,00
	Model 112	Price reduction	529 002	618,00
	Model 146	Price reduction	529 003	789,00
Without hinged doors on the operator side	Model 44-45	Price reduction	529 010	179,00
	Model 78-45	Price reduction	529 011	341,00
	Model 112-45	Price reduction	529 012	409,00
	Model 146-45	Price reduction	529 013	510,00
Permanent water connection		Surcharge	529 112	556,00
Decalcification system for water treatment		Surcharge	529 113	365,00
Water drainage installed for tray including feed-through		Surcharge	529 111	341,00
Moveable on casters (height 105 mm) instead of height-adjustable feet		Surcharge	529 120	458,00

01 Heated display cases with climate

GLASS ENCLOSURE SQUARED



GLASS ENCLOSURE INCLINED



All product illustrations are only symbolic photos. They may differ from the actual units. The specific product properties can be found in the individual product descriptions.