



DRINK MACHINE ADVANCE®

The Ultimate Blender for Every Beverage Programme

From fruit smoothies to thick shakes, the Drink Machine Advance is an essential tool for adding or expanding a blended beverage programme.

Smart Product Design

- 6 optimised programmes and automatic shut-off means you can turn it on, walk away, and achieve consistent results
- Pulse control quickly refreshes drinks for efficiency
- Advance® container creates faster, smoother pouring and has a longer blade life resulting in time and cost savings along with improved customer experience
- Advanced motor is designed to resist overheating when blending extra-thick ingredients resulting in cooler operation and enhanced reliability during peak hours of operation



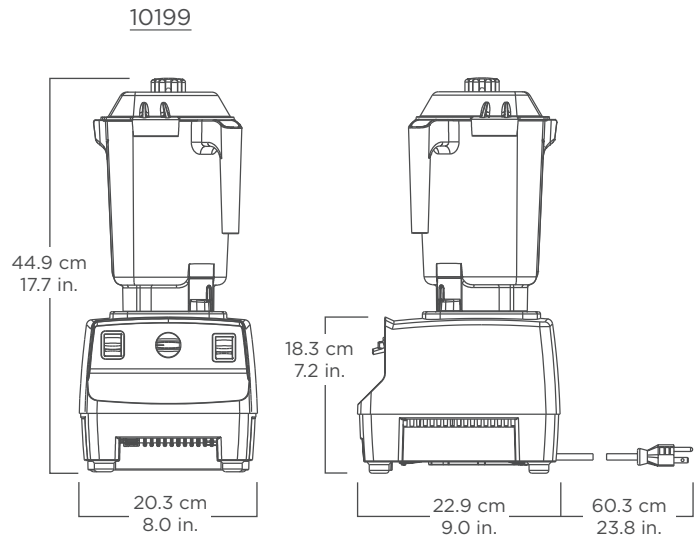
Perfectly blended smoothies

Product Specifications

Drink Machine Advance®

Item Number: 10199
 Motor: ≈2 peak output horsepower motor
 Electrical: 220 - 240 V, 50/60 Hz, 1000 - 1200 W
 Pack: Includes Drink Machine Advance with 0.9 L high-impact, clear/stackable Advance® container, complete with Advance blade assembly and lid, and silver base.
 Net Weight: 5.5 kg (6.8 kg with box)
 Dimensions: 44.9 x 20.3 x 22.9 cm (H x W x D)

Warranty: Please contact your authorised Vitamix distributor for warranty information.



Also Available

Additional containers, complete with blade assembly and lid.

Item Number: 15981: Advance container 0.9 L
 15506: standard container 1.4 L
 15640: compact container 0.9 L

Where applicable:

