



DRINK MACHINE TWO-SPEED

Durable and Efficient Blending

The Drink Machine Two-Speed is the reliable blender when powerful, functional, blending is needed. With manually-controlled two-speed capability, the Drink Machine Two-Speed will flawlessly create delicious frozen coffee drinks, fruit smoothies, granitas, shakes and more.

Smart Product Design

- Blades create enough torque to crush 1.4 L of cubed ice in seconds
- Powerful, thermally-protected motor handles dense ingredients without overheating
- Clear, durable 1.4 L container pulls ingredients into the blades for efficiency and better speed of service



Creamy fruit smoothies

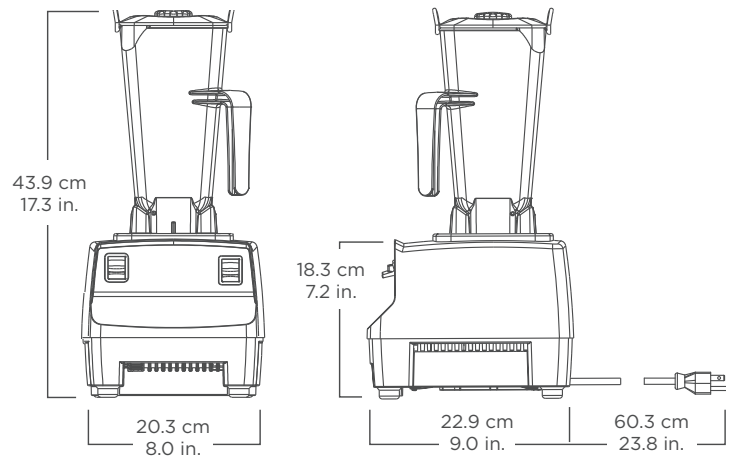
Product Specifications

Drink Machine Two-Speed

10011

Item Number: 10011
 Motor: ≈2 peak output horsepower motor
 Electrical: 220 - 240 V, 50/60 Hz, 1000 - 1200 W
 Pack: Includes Drink Machine Two-Speed with 1.4 L high-impact, clear/stackable container, complete with blade assembly and lid, and grey base.
 Net Weight: 5.5 kg (6.8 kg with box)
 Dimensions: 43.9 x 20.3 x 22.9 cm (H x W x D)

Warranty: Please contact your authorised Vitamix distributor for warranty information.



Also Available

Additional containers, complete with blade assembly and lid.

Item Number: 756: container 2.0 L
 15506: standard container 1.4 L
 15640: compact container 0.9 L

Where applicable:

